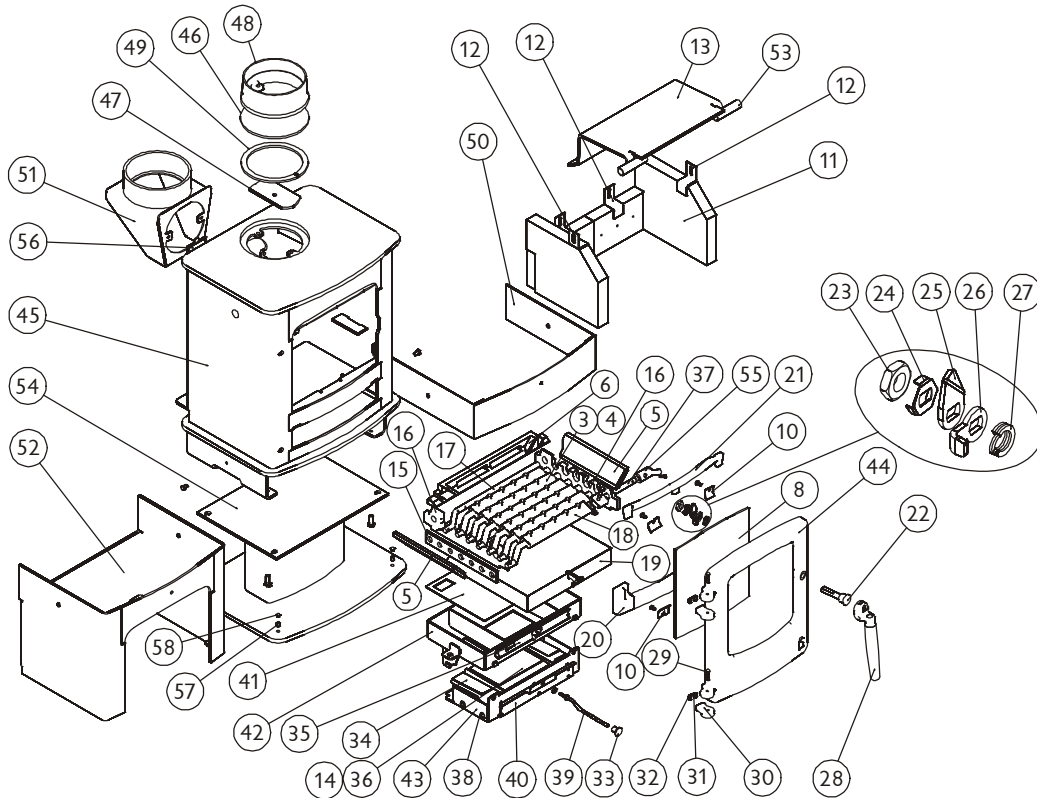


## Parts List



Item	Part No.	Description	Item	Part No.	Description
1*	008/SY16S	Door Seal Set Inc.Adhesive .....	37	002/CG11	Driving Rod .....
2*	008/FW29	Door Seal Adhesive .....	38	004/SY24	Flap Mounting Rod (inc. fixings) .....
3	002/CG01	Bottom Grate Bar .....	39	004/SY27	Air Control Rod .....
4	002/CG015S	Set of Grate Bars(5) .....	40	004/SY23	Actuator Assembly .....
5	002/SY15	Side Fire Plate .....	41	008/SY13	Upper Quattro Box Gasket .....
6	002/HW16	Back Fire Plate .....	42	010/SY20	Upper Quattro Box .....
8	006/SY18	Glass .....	43	010/SY19	Lower Quattro Box .....
9*	008/SY43	Glass Seal .....	44	002/SY01	Door .....
10	004/KV23	Glass Retainer .....	45	001/SY10	Firebox (Cove1) .....
11	011/SY29S	Set of Fire Bricks (4) .....	46	012/PV09	Blanking Plate .....
12	004/XV30	Brick Retainer .....	47	010/EY14	Clamping Plate .....
13	010/SY31	Throat Plate .....	48	002/PV12B	Flue Collar .....
14	008/SY26S	Set of Air Inlet Flap Pads .....	49	010/EY19	Flue Spacer Ring .....
15	012/SY33	Mover Bar .....	50	010/SY11/##	Base Cover .....
16	002/SY30	Carrier Bar .....	51	010/PV33	Vert. Rear Flue Connector (Opt'l Extra)
17	012/FW14	Idler Rod .....	52	010/SY02/##	Store Stand .....
18	002/CG12	Driving Gratebar .....	53	010/SY06	Throatplate Support Tube .....
19	004/SY17	Ashpan .....	54	010/SY12/##	Centre Stand .....
20	002/SY07	Front Firebar .....	55	002/AY27	Riddler Knob .....
21	002/SY08	Deepening Bar .....	56	012/SY25	Serial No. Label
22	002/PY11	Door Knob & Spindle .....	57	008/FB026	Levelling Screw - M8 x 10mm Grub Scr
23	008/FN001	Spindle Nut .....	58	008/FM039	Decorative Cap .....
24	004/AY44	Tabbed Locking Washer .....			
25	010/PY14	Door Catch .....			
26	010/PY05	Door Catch Stop .....			
27	008/FW015	Door Spring .....			
28	008/PY13	Door/Riddling/Ashpan Tool .....			
29	008/BW39/S	Hinge Pin Set (2 per set) .....			
30	002/PY24	Hinge Post .....			
31	004/PY25B	Hinge Post Shim 0.9mm .....			
32	004/PY25A	Hinge Post Shim 2mm .....			
33	008/AY37	Air Control Knob .....			
34	004/AY22-1S	Secondary Air Inlet Flap .....			
35	004/SY21	Air Bypass Slide .....			
36	004/CY22P	Primary Air Inlet Flap .....			

\* These items are not shown on the drawing.

# Please specify colour when ordering.



To obtain spare parts please contact your local stockist giving Model, Part No. and Description. In case of difficulty contact the manufacturer at the address shown. This drawing is for identification purposes only.

**CHARWOOD** Bishops Way, Newport, Isle of Wight PO30 5WS, United Kingdom

T:+44 (0)1983 537799

F:+44 (0)1983 537788

charnwood@ajwells.co.uk

www.charnwood.com